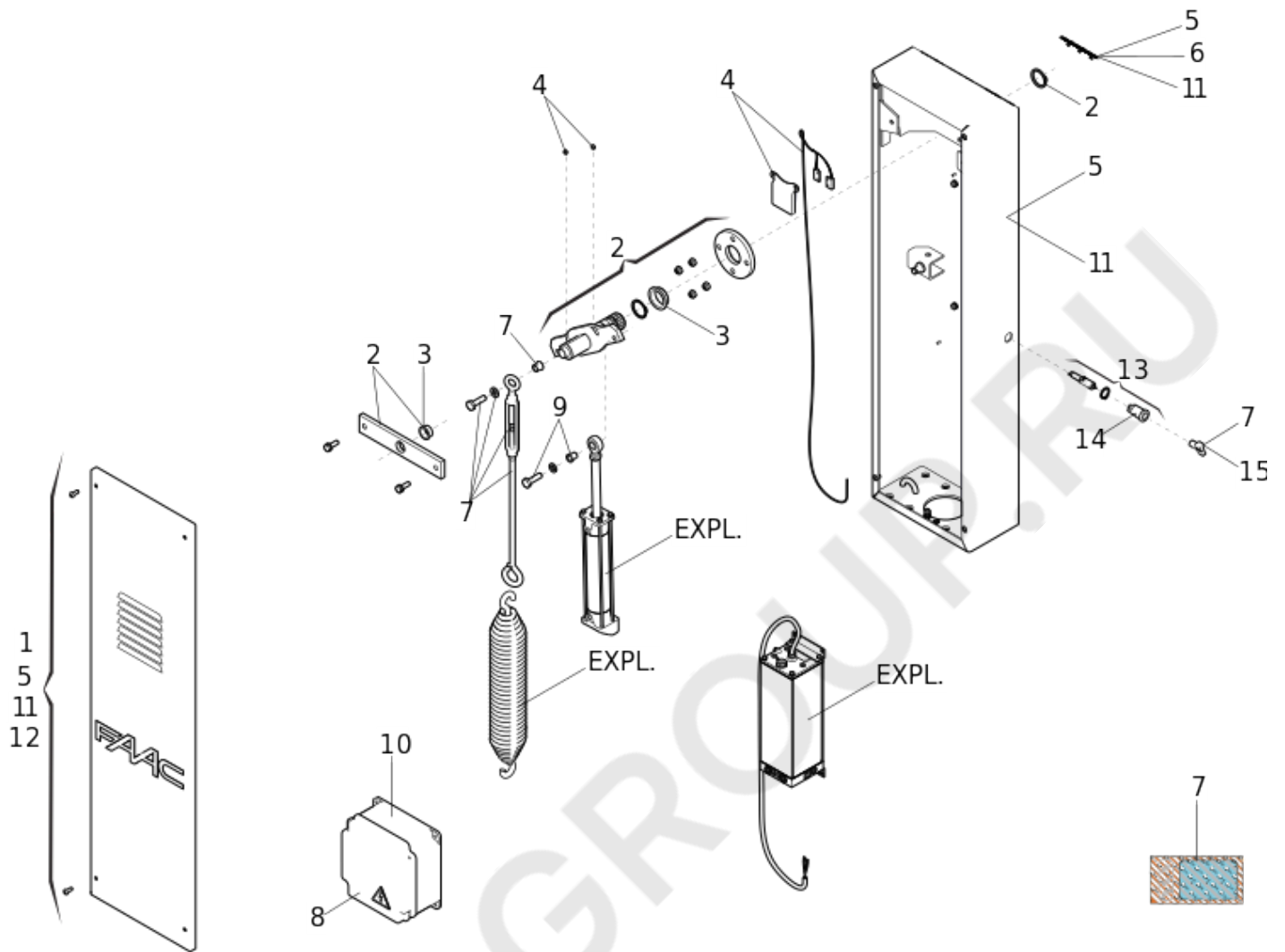


615 BPR STD 1

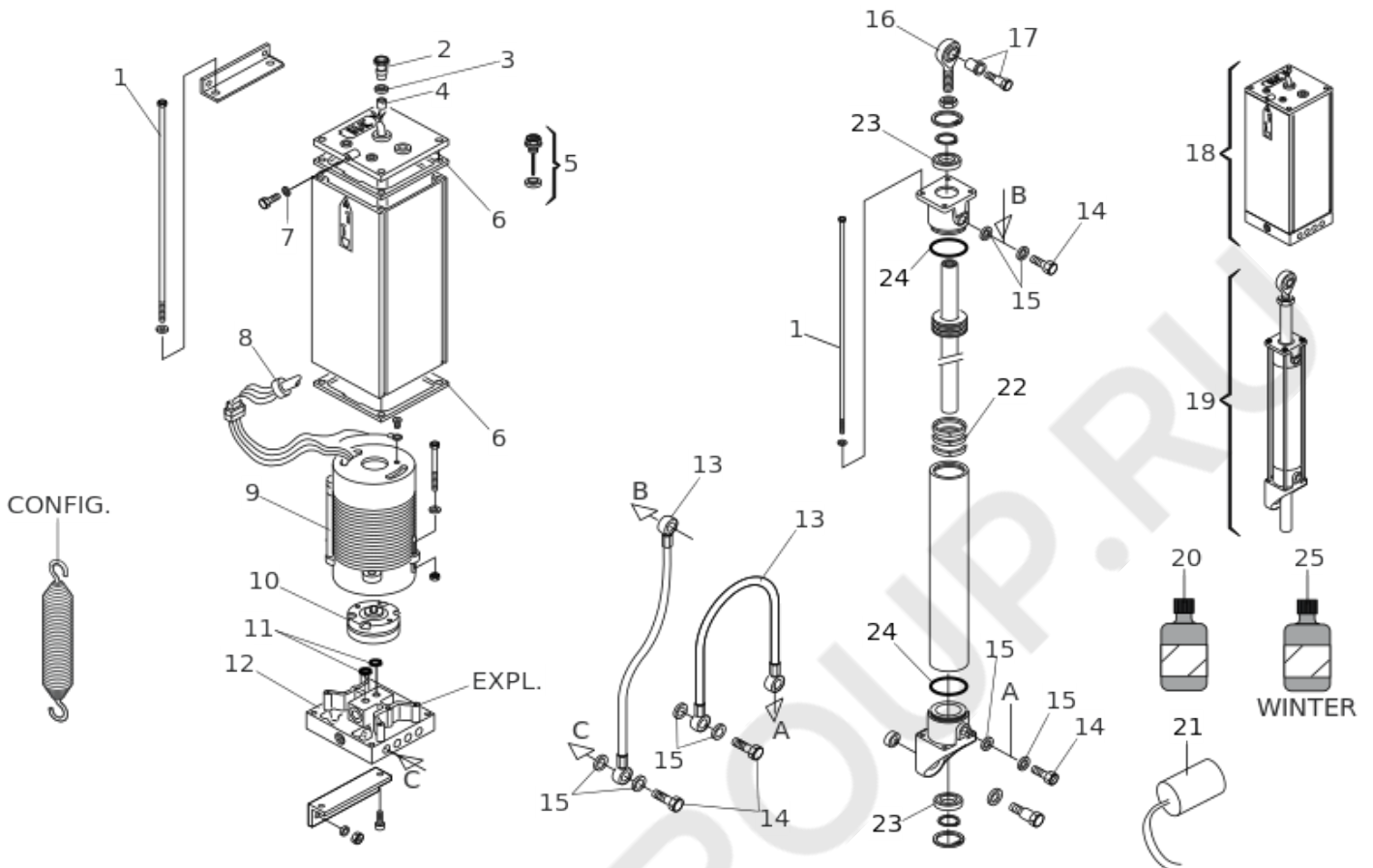


Pos.	Code	EAN	Quantity	Replacement code	Description	Salable
1	7272755	8055195024753	1		COVER 610/615	yes
2	428324	8055195009590	1		C.T.B.615 MOTION TRANSMISSION KIT	yes
3	63003302	8055195057522	1		615BPR MOTION GROUP BUSHINGS	yes
4	409819	8055195008388	1		615 BPR STOP SET	yes
5	63003466	8055195064827	1		615 BPR CASE AND COVER (RAL 2004)	yes
6	7324745	8055195025187	1		2003 FAAC LOGO	yes
7	3908425	8055195015287	1		SKINPACK 615 BPR BARRIER	yes
8	790281	8055195012989	1		1-596-615BPR CONTROL UNIT	yes

Pos.	Code	EAN	Quantity	Replacement code	Description	Salable
9	7080435	8055195022353	1		610/615 CYLINDER JOINT	yes
10	419401	8055195008708	1		620/640 ELECTRONIC UNIT BOX	yes
11	63003467	8055195064834	1		615 BPR CASE+COVER (RAL 9006)	yes
12	63000287	8055195030150	1		615BPR COVER RAL 9006	yes
13	4245985	8055195015546	1		GR.EXT.RELEASE STANDARD 615	yes
14	7128035	8055195023190	1		CYLINDER LOCK	yes
15	713002	8055195010886	1		402 RELEASE KEY	yes

FAAC-GROUP

615 BPR 2



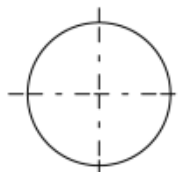
Pos.	Code	EAN	Quantity	Replacement code	Description	Salable
1	7019145	8055195021967	8		SW.G.P.U. PISTON SCREW	yes
2	7109095	8055195022957	1		CABLE GLAND	yes
3	7043355	8055195022131	1		CABLE GLAND RING	yes
4	7099245	8055195022841	1		STRAIN RELIEF GASKET	yes
5	7112055	8055195023077	1		OIL CAP 820/860	yes
6	7099315	8055195022858	2		G.D.O. 590 FLAT GASKET	yes
7	7094065	8055195022667	1		COPPER WASHER 7X4X1	yes
8	7514225	8055195025767	1		1,2 m CABLE W/O MOTOR PROTECTION	yes
9	7700055	8055195025972	1		MOTOR 220V 4P. SINGLE PHASE WITH THERMAL	yes

Pos.	Code	EAN	Quantity	Replacement code	Description	Salable
10	3204445	8055195015034	1		PUMP	yes
11	7090010015	8055195040074	2		GASKET OR 4.48X1.78 (2018)	yes
12	4997645	8055195015966	1		C.T.B.DISTRIBUTION FLANGE UNIT	yes
13	63000112	8055195028966	2		FLEXIBLE PIPE GROUP OCC/OCC	yes
14	7110115	8055195023022	4		SW.G.RAM 750 CAP 1-8 KEY 13 H29,5	yes
15	63003231	8055195043648	8		BONDED SEAL 1/8 GAS CENT. 89096 DICKTOMA	yes
16	7073025	8055195022308	1		M12 MALE BALL-AND-SOCKET JOINT	yes
17	7080435	8055195022353	1		610/615 CYLINDER JOINT	yes
18	2077445	8055195014914	1		615 CENTRAL CBAC 1.5 LT	yes
19	7251215	8055195024500	1		C.T.B.615 CYLINDER	yes
20	714017	8055195010923	2		FAAC HP OIL LT.1	yes
21	7601351	8055195025941	1		CAPACITOR 8MF 400VAC CABLE 250MM	yes
22	7095065	8055195022766	1		GASKET EUD 4032/1K Z20	yes
23	63000574	8055195031201	2		GASKET SNI39 16X24X6,3X5,8 125064 SPAR/P	yes
24	7090450015	8055195051056	2		O-RING 1,78X34,65 NB70	yes
25	714042	8055195063998	1		FAAC HP2 OIL - 160Kg/188	yes

615 BPR CONFIGURATOR



- 1 RETTANGOLARE / RECTANGULAR
- 2 RETTANGOLARE ARTICOLATA / ARTICULATED RECTANGULAR



- 3 TONDA / ROUND



- 4 TONDA S / S ROUND
- 5 TONDA S CON LUCI / S ROUND WITH LIGHTS

Pos.	Code	EAN	Quantity	Replacement code	Description	Salable
------	------	-----	----------	------------------	-------------	---------

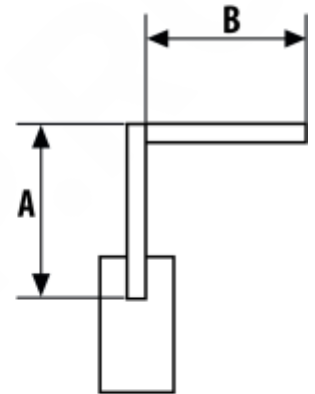
FAAC-GRO

ARTICULATED BEAM

ASTA RETTANGOLARE ARTICOLATA ARTICULATED RECTANGULAR BEAM



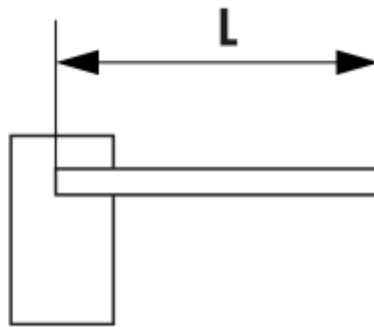
L = A+B	A		
1.815 m	0.750 ÷ 1.250 m	1	∅ 5.5
	1.251 ÷ 1.750 m	2	∅ 6
2.315 m	0.750 ÷ 1.500 m	3	∅ 7
	1.501 ÷ 2.050 m		
2.815 m	0.750 ÷ 2.050 m	3	∅ 7
3.315 m	0.750 ÷ 1.750 m	3	∅ 7
	1.751 ÷ 2.050 m	4	∅ 7.5
3.815 m	0.750 ÷ 2.050 m	4	∅ 7.5



Pos.	Code	EAN	Quantity	Replacement code	Description	Salable
1	721008	8055195011388	1		SPRING WIRE DIA. 5,5	yes
2	721005	8055195011357	1		SPRING WIRE DIA. 6	yes
3	721006	8055195011364	1		SPRING WIRE DIA. 7	yes
4	721007	8055195011371	1		SPRING WIRE DIA. 7,5	yes

RECTANGLUAR LIGHT BEAM

ASTA RETTANGOLARE LEGGERA LIGHT RECTANGULAR BEAM

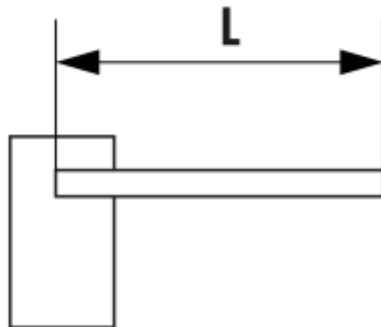


1.500 ÷ 2.500 m	1	∅ 4.5
2.510 ÷ 3.000 m	2	∅ 5
3.010 ÷ 3.500 m	3	∅ 5.5
3.510 ÷ 4.000 m	4	∅ 6

Pos.	Code	EAN	Quantity	Replacement code	Description	Salable
1	721128		1			no
2	721127		1			no
3	721008	8055195011388	1		SPRING WIRE DIA. 5,5	yes
4	721005	8055195011357	1		SPRING WIRE DIA. 6	yes

RECTANGULAR BEAM WITH SKIRT

ASTA RETTANGOLARE CON SIEPE RECTANGULAR BEAM WITH SKIRT

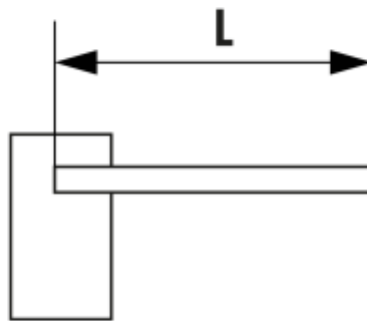


1.500 ÷ 2.500 m	1	∅ 5.5
2.010 ÷ 3.000 m	2	∅ 6
3.010 ÷ 4.000 m	3	∅ 7.5
4.010 ÷ 5.000 m	4	∅ 8

Pos.	Code	EAN	Quantity	Replacement code	Description	Salable
1	721008	8055195011388	1		SPRING WIRE DIA. 5,5	yes
2	721005	8055195011357	1		SPRING WIRE DIA. 6	yes
3	721006	8055195011364	1		SPRING WIRE DIA. 7	yes
4	721018	8055195011395	1		SPRING WIRE DIAMETER 8	yes

RECTANGULAR BEAM

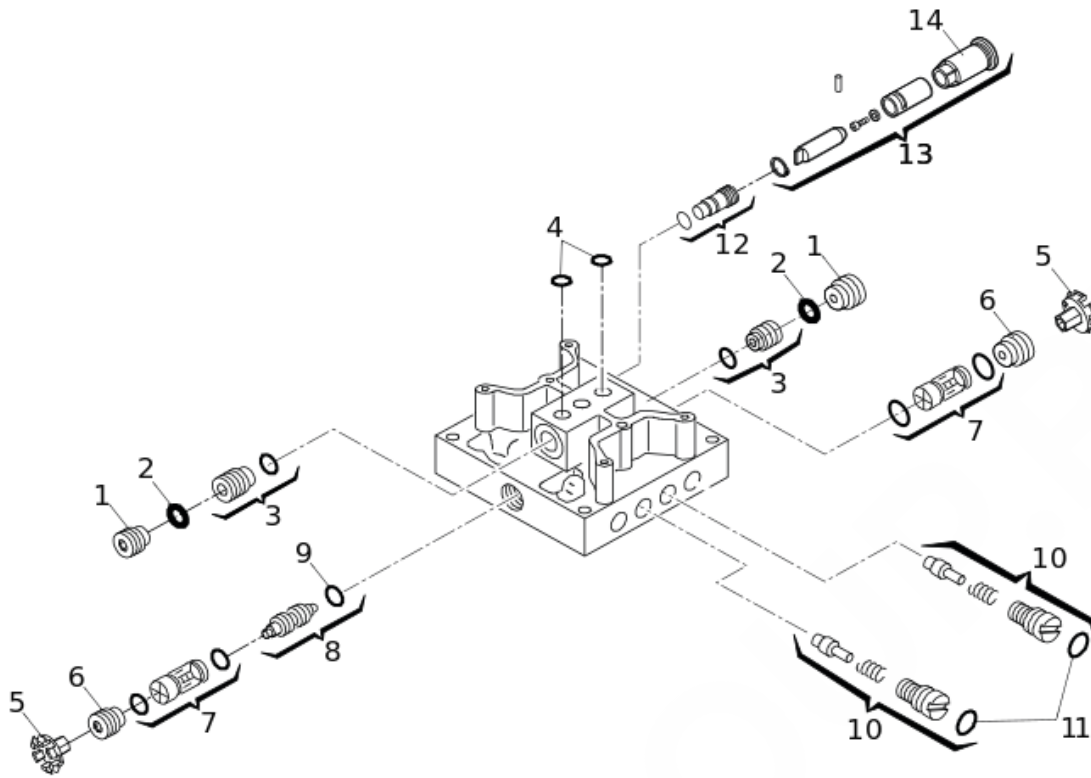
SOLO ASTA RETTANGOLARE ONLY RECTANGULAR BEAM



1.500 ÷ 2.500 m	1	∅ 5.5
2.510 ÷ 3.000 m	2	∅ 6
3.010 ÷ 4.000 m	3	∅ 7
4.010 ÷ 5.000 m	4	∅ 8

Pos.	Code	EAN	Quantity	Replacement code	Description	Salable
1	721008	8055195011388	1		SPRING WIRE DIA. 5,5	yes
2	721005	8055195011357	1		SPRING WIRE DIA. 6	yes
3	721006	8055195011364	1		SPRING WIRE DIA. 7	yes
4	721018	8055195011395	1		SPRING WIRE DIAMETER 8	yes

615 DISTRIBUTION FLANGE



Pos.	Code	EAN	Quantity	Replacement code	Description	Salable
1	7049135	8055195022186	2		VALOX VALVE RETAINING RING NUT	yes
2	63000577	8055195031225	2		SPRING 14X7,2X0,35 DIN2093 SPARE PARTS	yes
3	4404065	8055195015713	2		SUCTION VALVE WITH SPRING	yes
4	7090010015	8055195040074	2		GASKET OR 4.48X1.78 (2018)	yes
5	63000007	8055195028614	2		ANTI UNSCREWING BLOCK VALVE	yes
6	7049005	8055195022148	2		BRASS VALVE RETAING RING NUT	yes
7	4404085	8055195015737	2		STOP VALVE IN ZAMACK	yes
8	4180285	8055195015454	1		CHANGE OVER PISTON WITH OR	yes

Pos.	Code	EAN	Quantity	Replacement code	Description	Salable
9	7090300015	8055195040234	1		GASKET OR 7.66X1.78 90 SHORE	yes
10	4180395	8055195015508	2		BY PASS BRASS CAP	yes
11	7090150015	8055195040135	2		GASKET OR 9.25X1.78 (2037)	yes
12	4180305	8055195015478	1		620-640 EXT.RELEASE PLUG	yes
13	4245985	8055195015546	1		GR.EXT.RELEASE STANDARD 615	yes
14	7128035	8055195023190	1		CYLINDER LOCK	yes

FAAC-GROUP.P.R.U